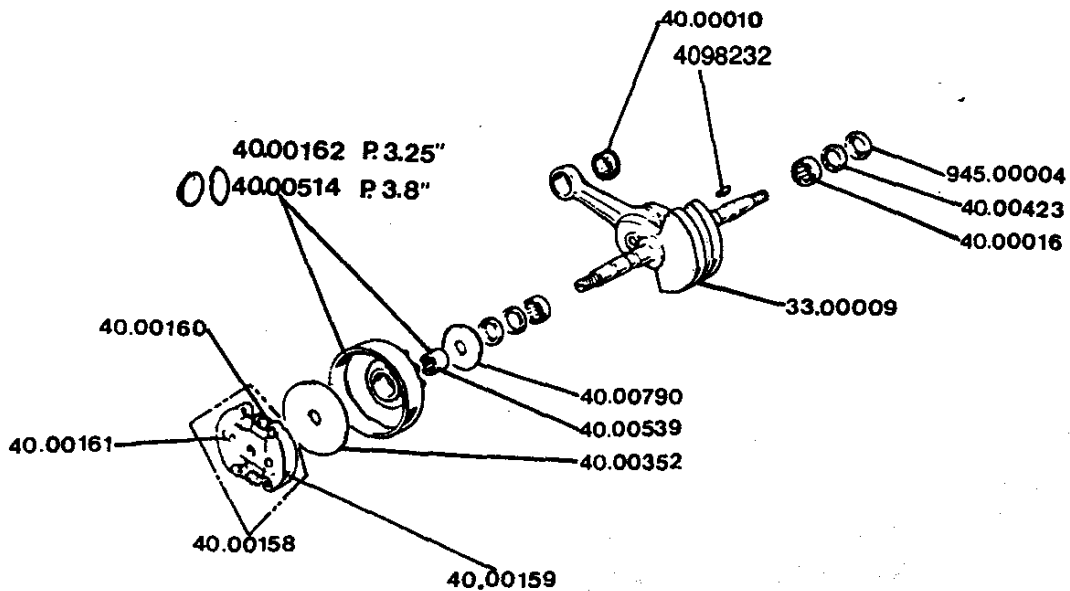


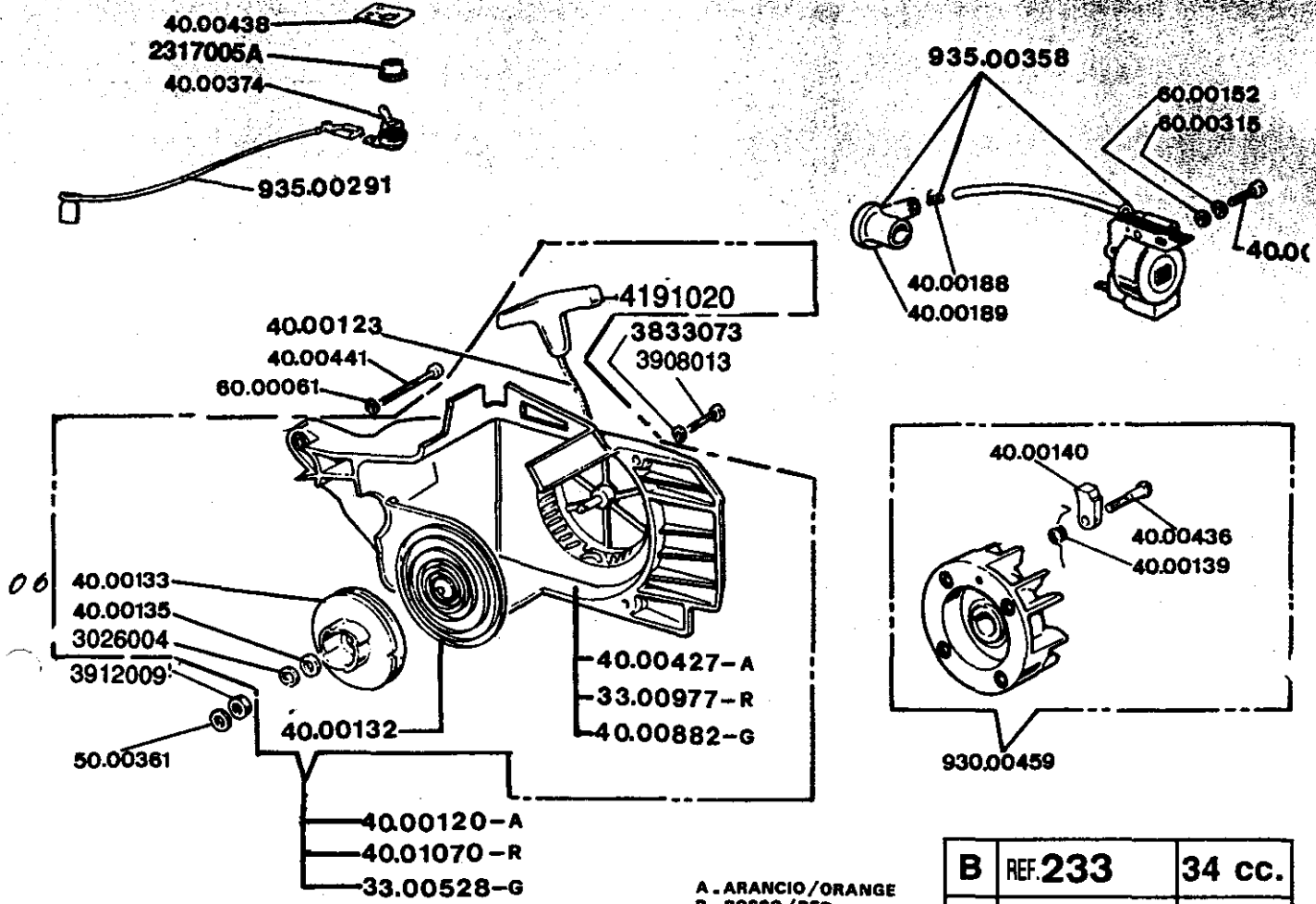
◆ SERIE O.R. X POMPA OLIO/O-RING SET 44.00890

▲ SERIE GUARNIZIONI/GASKET SET 33.00330

|   |          |         |
|---|----------|---------|
| B | REF. 233 | 34 cc.  |
| 1 | TAV. A   | 06 - 94 |

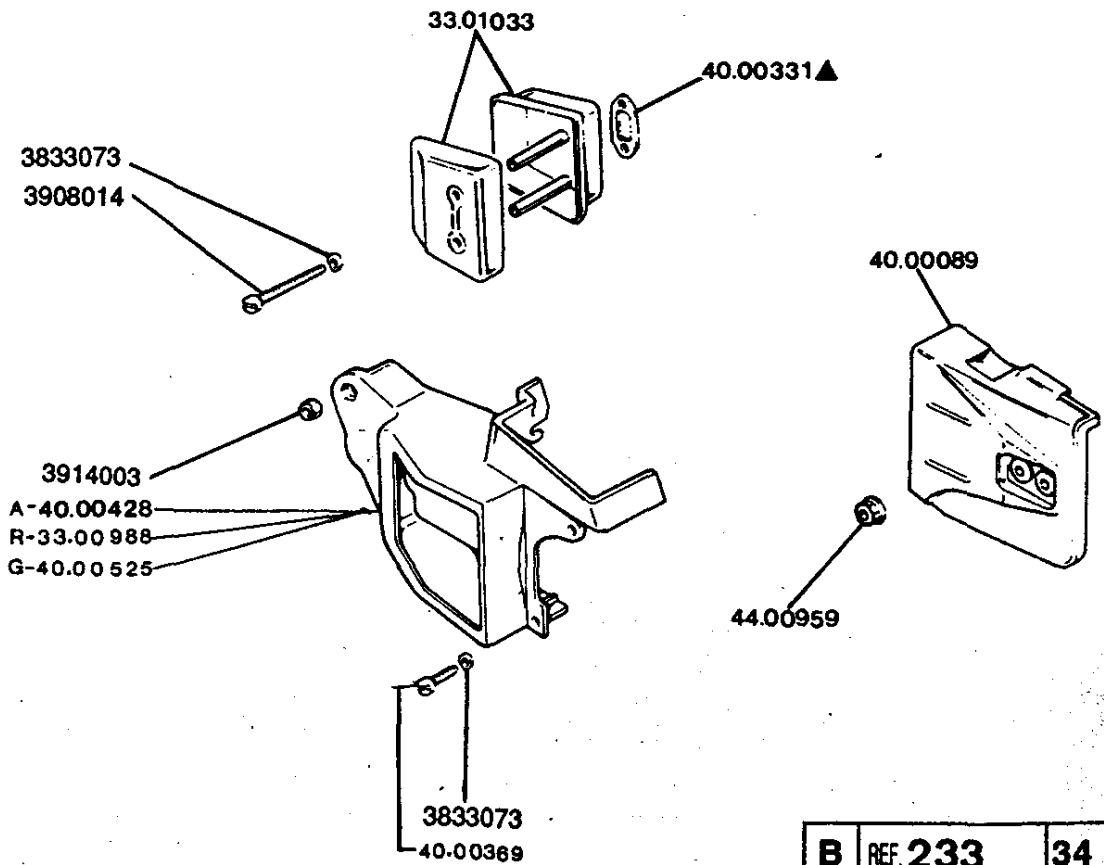


|   |          |         |
|---|----------|---------|
| B | REF. 233 | 34 cc.  |
| 2 | TAV. B   | 06 - 94 |

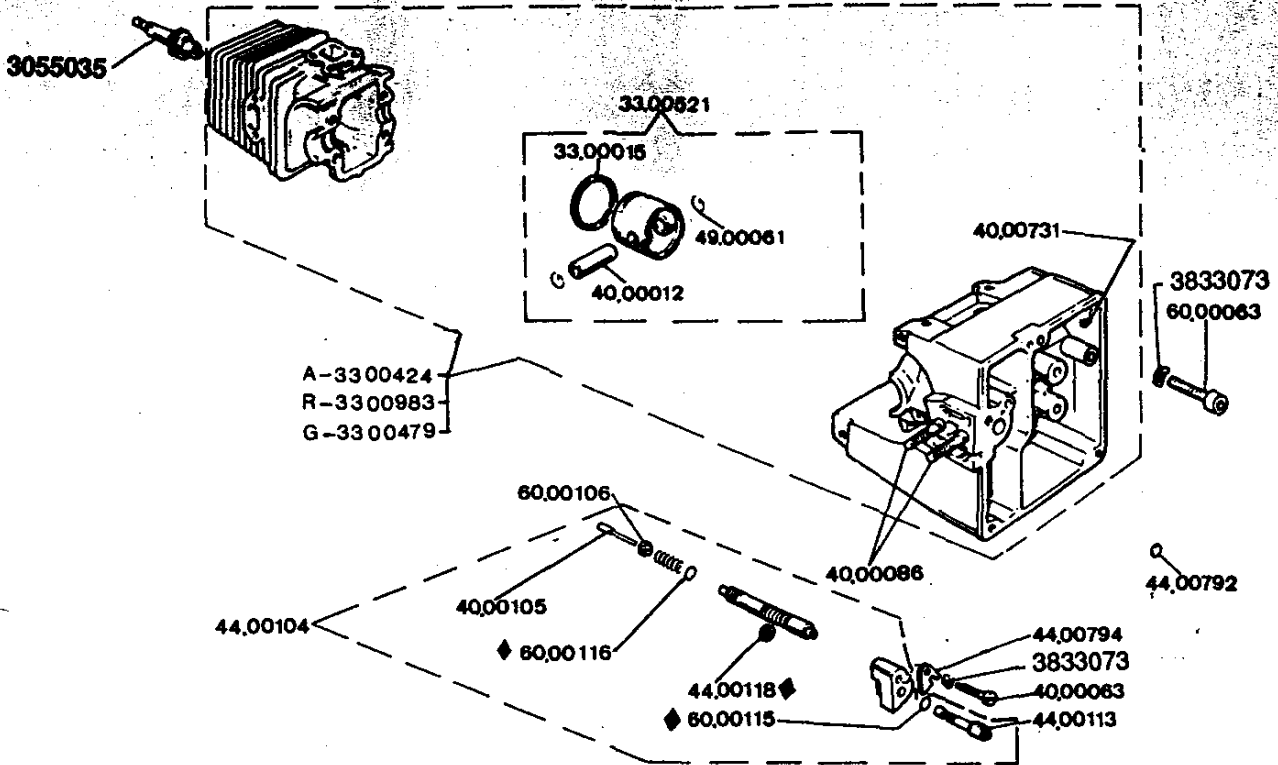


A - ARANCIO / ORANGE  
 R - ROSSO / RED  
 G - GIALLO / YELLOW

|          |          |         |
|----------|----------|---------|
| <b>B</b> | REF. 233 | 34 cc.  |
| <b>3</b> | TAV. C   | 06 - 94 |

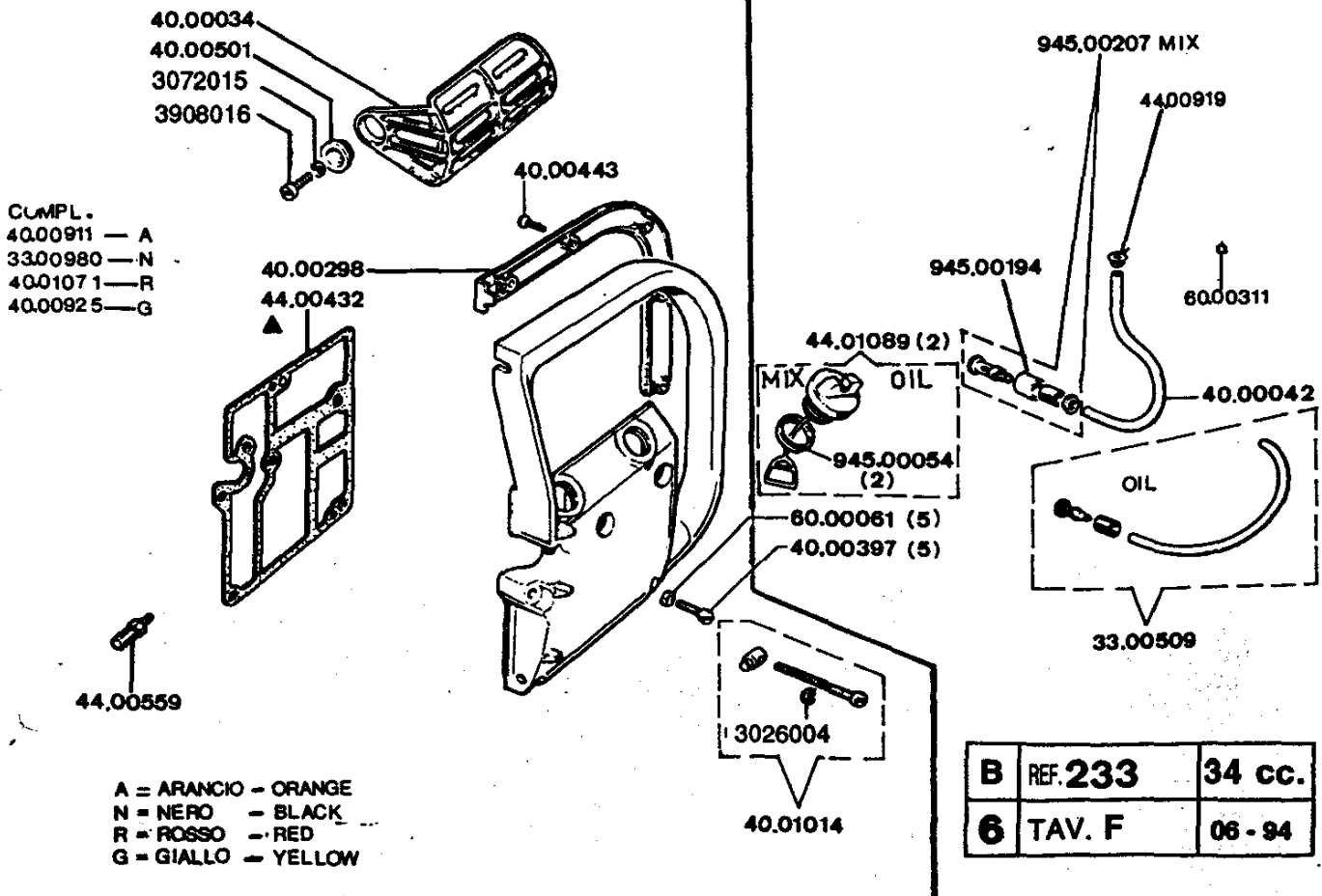


|          |          |         |
|----------|----------|---------|
| <b>B</b> | REF. 233 | 34 cc.  |
| <b>4</b> | TAV. D   | 06 - 94 |



A - ARANCIO/ORANGE  
R - ROSSO/RED  
G - GIALLO/YELLOW

|   |          |         |
|---|----------|---------|
| B | REF. 233 | 34 cc.  |
| 5 | TAV. E   | 06 - 94 |

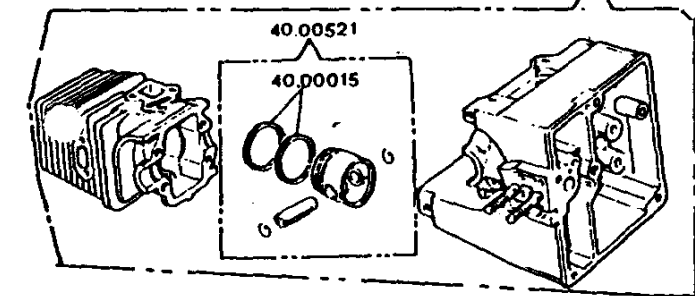
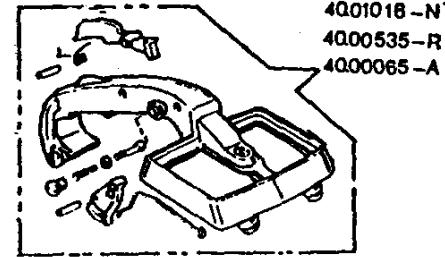
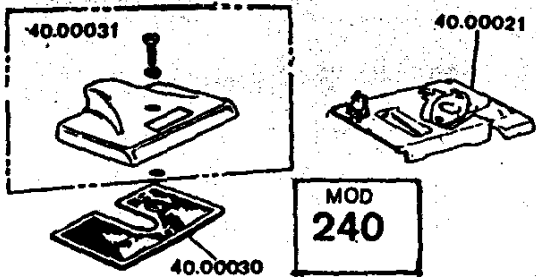


CUMPL.  
40.00911 — A  
33.00980 — N  
40.01071 — R  
40.00925 — G

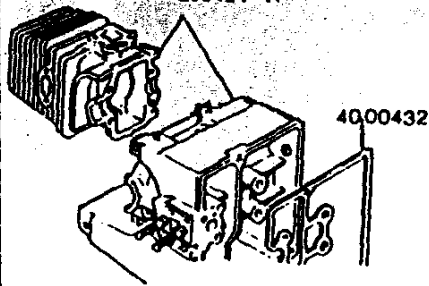
A = ARANCIO - ORANGE  
N = NERO - BLACK  
R = ROSSO - RED  
G = GIALLO - YELLOW

|   |          |         |
|---|----------|---------|
| B | REF. 233 | 34 cc.  |
| 6 | TAV. F   | 06 - 94 |

**MOD.240 ACC. A PUNTINE**



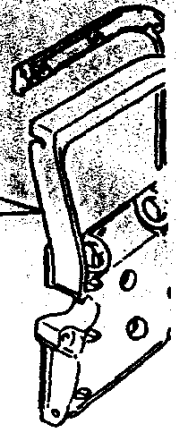
VARIANTI RISPETTO A TAV. BASE 233  
PARTS DIFFERING FROM ORIGINAL DRAWING 233



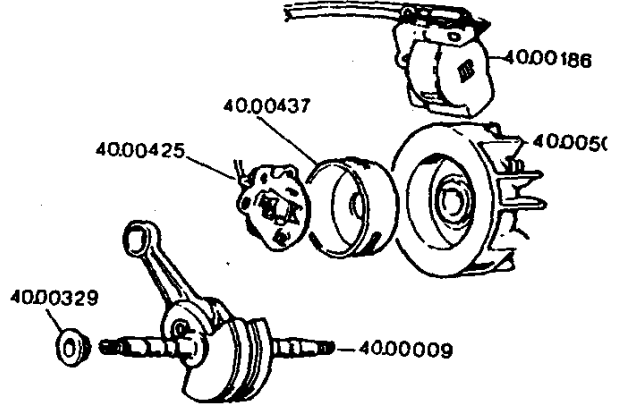
4401113-G  
4401045-R  
4400424-A

TIPO VECCHIO  
OLD TYPE

A-4000429  
G-4000480

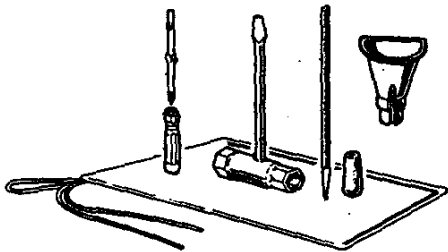


IMPIANTO PHELON



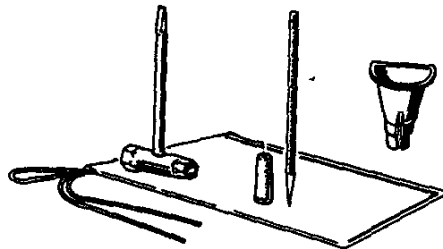
|   |         |    |
|---|---------|----|
| B | REF.240 | 38 |
| 7 | TAV. G  | 06 |

**COMPL. 0044.00626**



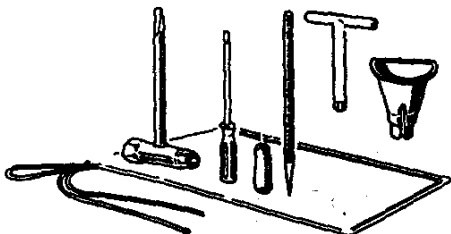
MOD. 233-240

**COMPL. 0054.00626**



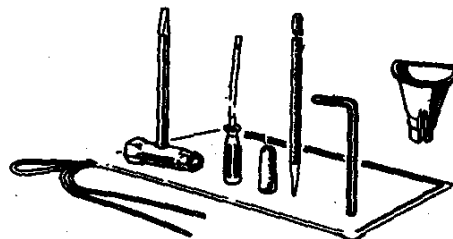
MOD.350-264-251

**COMPL. 0946.00120**



MOD. 945-950

**COMPL. 0072.00626**



MOD. 261 - 272 - 284  
481

**B7**